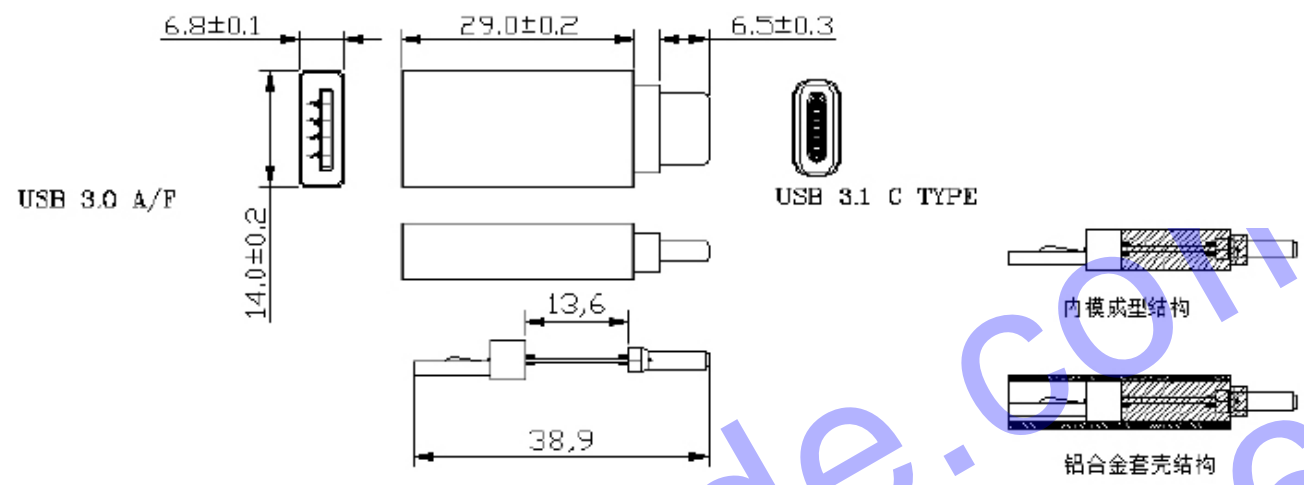


RoHS COMPLIANT



PIN ASSIGNMENT:

USB 3.0 A TYPE FEMALE		USB 3.1 C TYPE MALE	
GND	4,7	GND_PWR	A1,B1,A12,B12 GND
VBUS	1	PWR_VBUS	A4,B4,A9,B9 VBUS
		CC	A5
		VCONN	B5
D+	3	UTP_Dp	A6
D-	2	UTP_Dn	A7
Shield	SHELL	SHELL	Shield

产品特点:

- 1:符合USB 3.1和USB 3.0 协议下拉5.1K电阻于GND。
- 2:传输速度5Gbps、支援OTG和扩展功能,外接鼠标,键盘等。
- 3:连接器选择用无缝拉伸工艺,外壳铝合金CNC高光防挂角加工、TPE高密度内模成型、符合RoHS环保要求
- 4:包装方式: Poly Bag
- 5:产品适用: Macbook 12" (苹果MAC)、Chromebook Pixel (Google)、乐视" & 乐视Pro. & 乐视Max"、Zuk (手机) 小米4C (手机)、NeuS5X和NeuS5P (Google)、微软Lumia950和Lumia950X, 魅族Pro5, 三星平板, 一加手机等

NOTE

1. OPEN/SHORT/INTERMITTENCE 100% TEST.
2. HI-POT:300V DC/0.1SEC.
3. CONDUCTIVE RESISTANCE:5Ω MAX.
4. RoHS COMPLIANT.

3	铝合金外壳带银边(七色:金,银,灰,黑,红,蓝,紫)	1	PCS
2	PVC	1	PCS
1	USB 3.1 C TYPE TO USB 3.0 A/F TYPE FCBA	1	PCS

QUALITY SYMBOLS		UNIT	SCALE	TOLERANCES	ITEM	DESC	Q'TY	MATERIAL		REMARKS	PART REMARKS	
■: CRITICAL	□: MAJOR	mm	3:1	DIM. ±0.30 ANGLE: 3°	APPROVED	CHECKED	DESIGN	DRAWN	PART NO.	ASS-USB09FT24F	SHT	1/1
▽: ZERO DEFECT	▽: S.P.C	HDC 有限公司										
REV	DESCRIPTION	DATE	DESCRIPTION: USB 3.1 A/F TO C TYPE M ADAPTER W/PC, W/LED DRAWING NO.: REV: A									